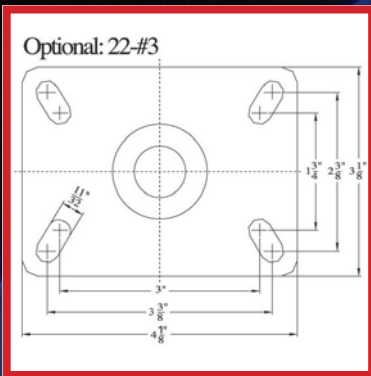
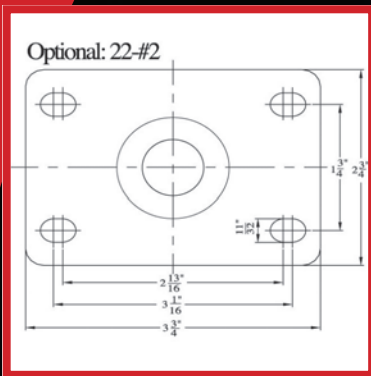
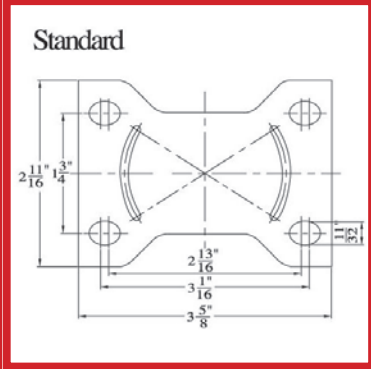


CP-GD SERIES WITH TOP PLATE GENERAL DUTY SWIVEL AND RIGID



Standard Features

- Zinc Plated for Durability and Longevity
- Swivel Dust Cap
- 3mm Steel Fork Thickness & 4mm Top Plate Thickness
- 2-1/2" x 3-5/8" Standard Swivel Top Plate (4mm Steel Thickness)
- 3/8" Solid axle with nylon lock nut

Brake Options

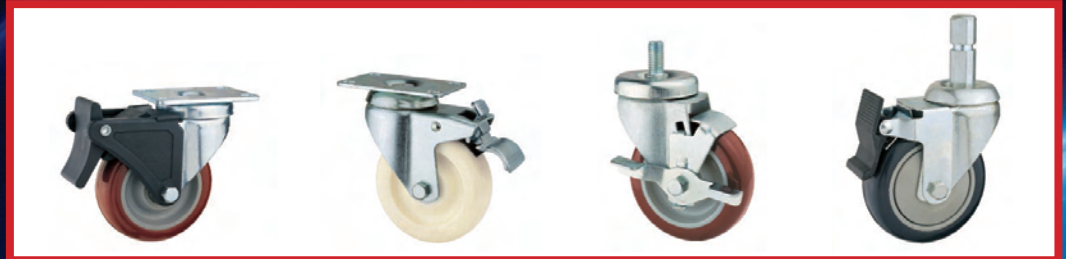
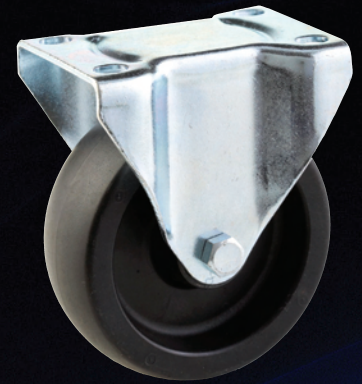
- TB – Tread Brakes (Locks Wheel Only) (Field Installable)
- NTL – Nylon Tread Brake (Locks Wheel Only) (Field Installable)
- TLB2 – Nylon Total Lock Brake (Locks Wheel & Swivel) (Field Installable)

Fork Options

- Full double ball hardened raceway. Better performance and greater durability
- Hollow axle. Greased holes for greater convenience
- Nylon lock nut
- Top Plate 2-3/4" x 3-3/4"
- Top Plate 3-1/8" x 4-1/8"

Wheel Options

- Thread Guards. Available on most models



CP-GD Series is a general duty series caster, the most widely used of all. Suitable for indoor applications as well as industrial and material handling equipment. Top Plate fittings are available in different dimensions for both rigid and swivel casters. Brake apparatus of various kinds can be added to your specifications.



CP-GD SERIES WITH TOP PLATE GENERAL DUTY SWIVEL AND RIGID

Wheel Diameter	Wheel Width	Capacity	Wheel Description	Bearing	Swivel Top Plate Caster Part No.	Rigid Top Plate Caster Part No.	Load Height	Swivel Radius
2-1/2"	1-1/4"	145	Hard Rubber	Sleeve	25CP-GD-240581-2010	25CP-GD-043581-2010	3-19/32"	2-13/64"
		135	TPR	Delrin	25CP-GD-240581-3030	25CP-GD-043581-3030		
				Dual Ball	25CP-GD-240581-3040	25CP-GD-043581-3040		
		155	PP	Delrin	25CP-GD-240581-1030	25CP-GD-043581-1030		
				Dual Ball	25CP-GD-240581-1040	25CP-GD-043581-1040		
		165	PU on PP	Delrin	25CP-GD-240581-4030	25CP-GD-043581-4030		
				Dual Ball	25CP-GD-240581-4040	25CP-GD-043581-4040		

Wheel Dia	Wheel Width	Capacity	Wheel Description	Bearing	Swivel Top Plate Caster Part No.	Rigid Top Plate Caster Part No.	Load Height	Swivel Radius
3"	1-1/4"	155	Hard Rubber	Nylon	3CP-GD-240581-2010	3CP-GD-043581-2010	4-1/4"	2-21/32"
				Delrin	3CP-GD-240581-3030	3CP-GD-043581-3030		
		145	TPR	Dual Ball	3CP-GD-240581-3040	3CP-GD-043581-3040		
				Single Ball	3CP-GD-240581-3050	3CP-GD-043581-3050		
		165	PP	Delrin	3CP-GD-240581-1030	3CP-GD-043581-1030		
				Dual Ball	3CP-GD-240581-1040	3CP-GD-043581-1040		
		175	PU on PP	Delrin	3CP-GD-240581-4030	3CP-GD-043581-4030		
				Dual Ball	3CP-GD-240581-4040	3CP-GD-043581-4040		
Single Ball	3CP-GD-240581-4050			3CP-GD-043581-4050				
	PU on Cast Iron	Roller	3CP-GD-240581-5060	3CP-GD-240581-5060				
4"	1-1/4"	175	Hard Rubber	Nylon	4CP-GD-240581-2010	4CP-GD-043581-2010	5-3/16"	3-5/32"
				Delrin	4CP-GD-240581-3030	4CP-GD-043581-3030		
		165	TPR	Dual Ball	4CP-GD-240581-3040	4CP-GD-043581-3040		
				Single Ball	4CP-GD-240581-3050	4CP-GD-043581-3050		
		185	PP	Delrin	4CP-GD-240581-1030	4CP-GD-043581-1030		
				Dual Ball	4CP-GD-240581-1040	4CP-GD-043581-1040		
		200	PU on PP	Delrin	4CP-GD-240581-4030	4CP-GD-043581-4030		
				Dual Ball	4CP-GD-240581-4040	4CP-GD-043581-4040		
Single Ball	4CP-GD-240581-4050			4CP-GD-043581-4050				
	PU on Cast Iron	Roller	4CP-GD-240581-5060	4CP-GD-240581-5060				
5"	1-1/4"	190	Hard Rubber	Nylon	5CP-GD-240581-2010	5CP-GD-043581-2010	6-3/16"	3-13/16"
				Delrin	5CP-GD-240581-3030	5CP-GD-043581-3030		
		175	TPR	Dual Ball	5CP-GD-240581-3040	5CP-GD-043581-3040		
				Single Ball	5CP-GD-240581-3050	5CP-GD-043581-3050		
		210	PP	Delrin	5CP-GD-240581-1030	5CP-GD-043581-1030		
				Dual Ball	5CP-GD-240581-1040	5CP-GD-043581-1040		
		220	PU on PP	Delrin	5CP-GD-240581-4030	5CP-GD-043581-4030		
				Dual Ball	5CP-GD-240581-4040	5CP-GD-043581-4040		
Single Ball	5CP-GD-240581-4050			5CP-GD-043581-4050				
	PU on Cast Iron	Roller	5CP-GD-240581-5060	5CP-GD-240581-5060				